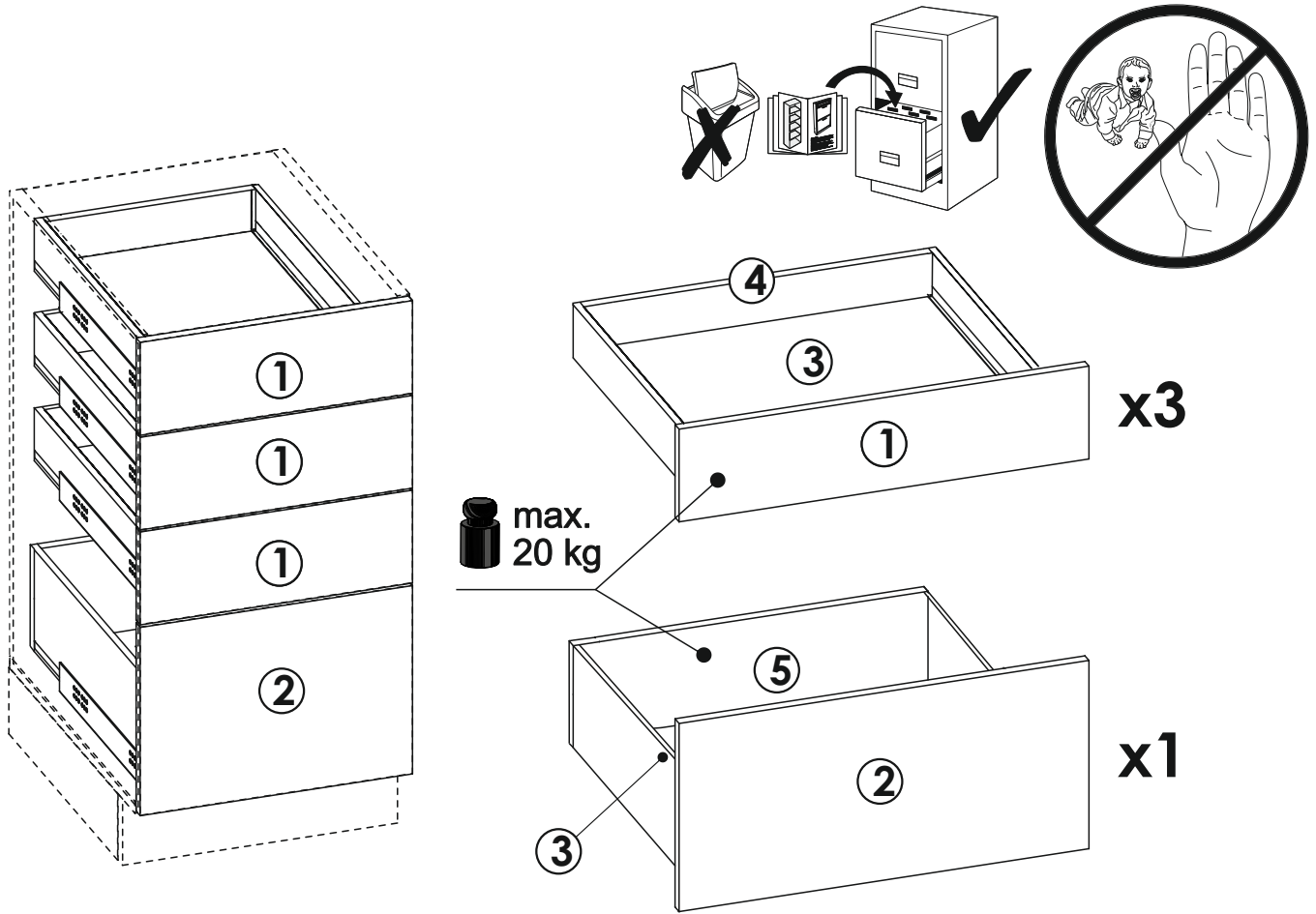
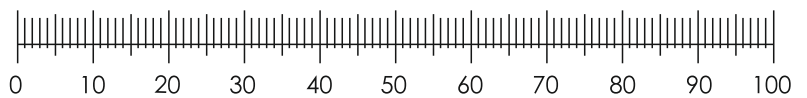


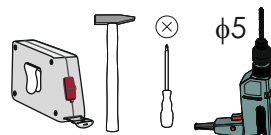
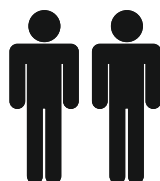
KPL SZUF D4H 40

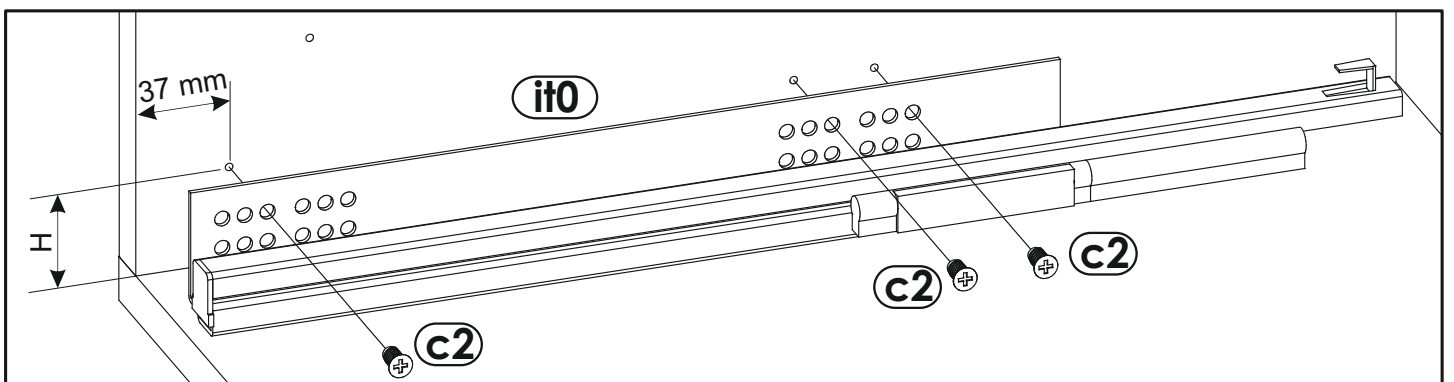
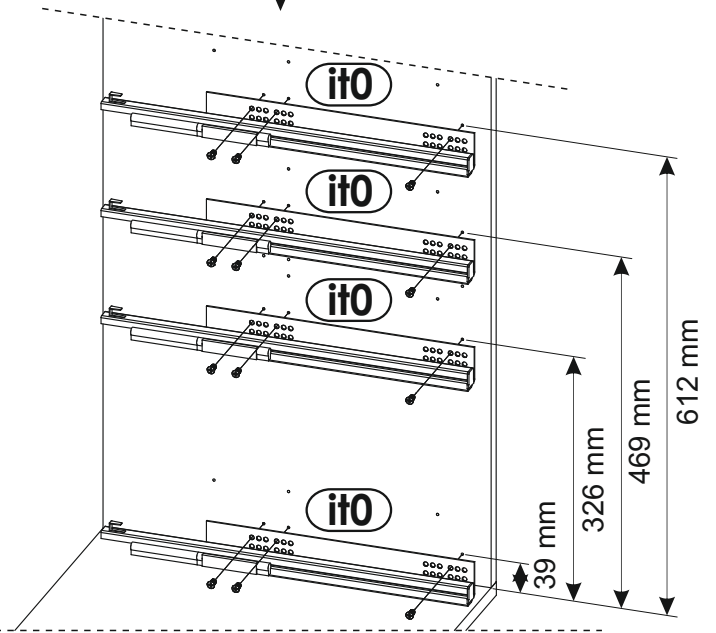
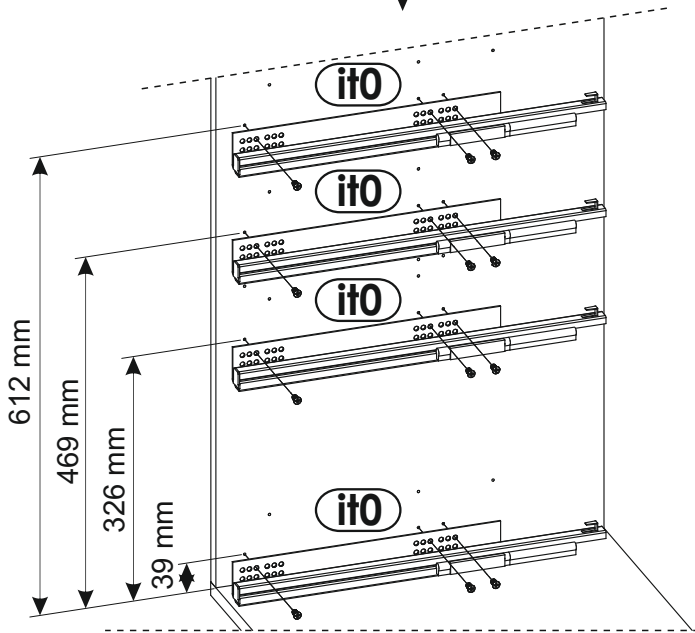
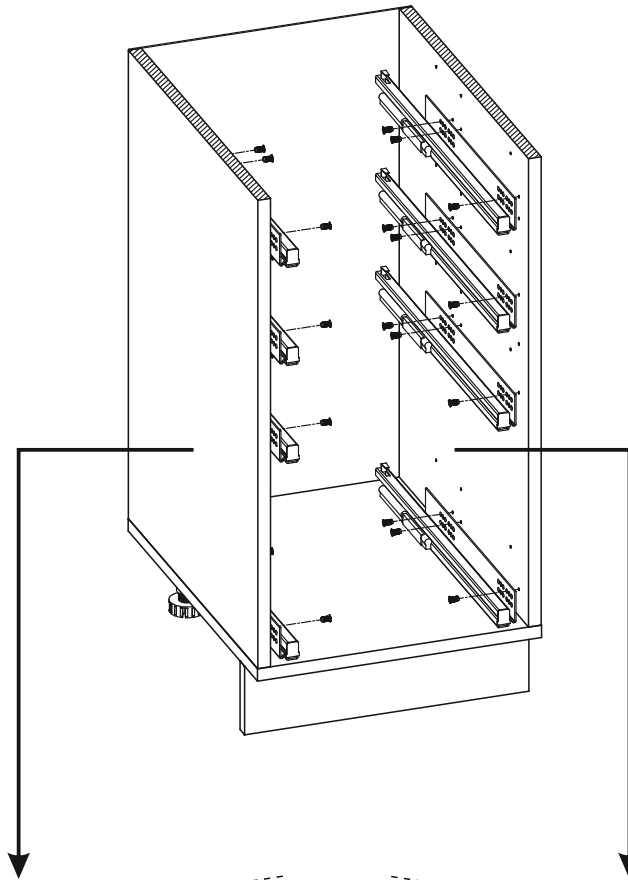
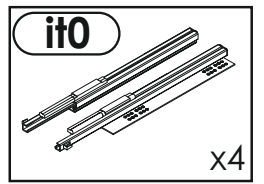


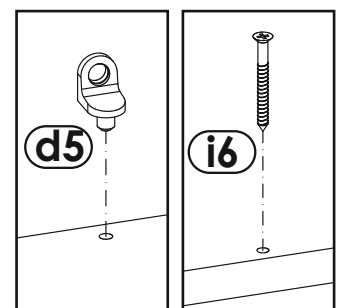
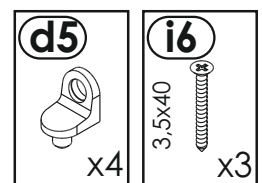
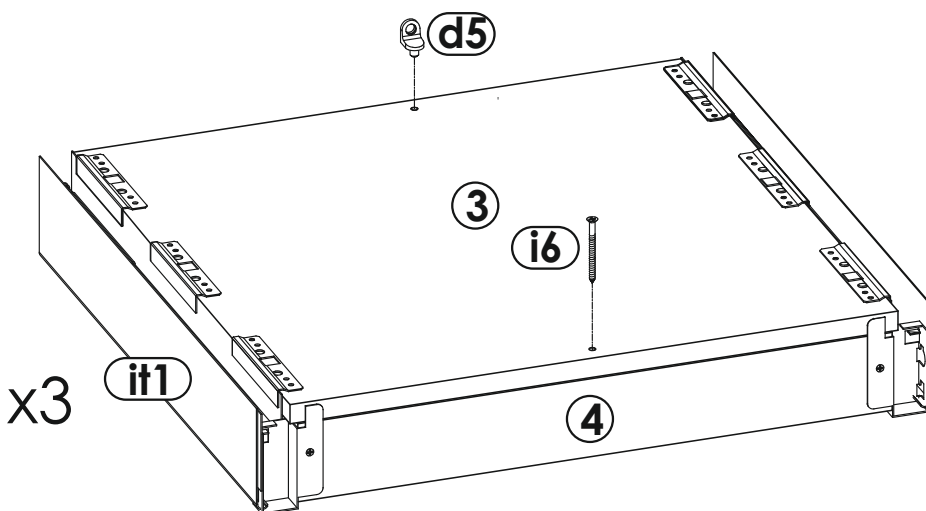
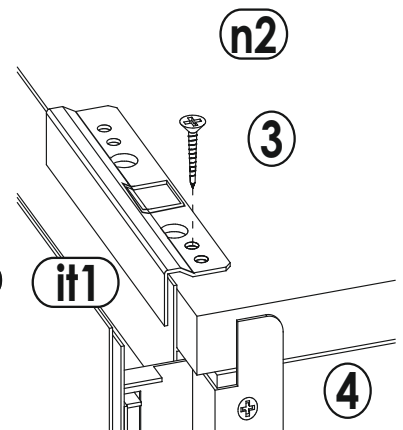
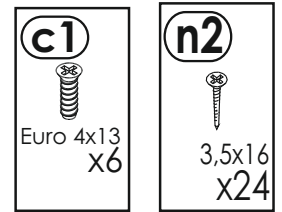
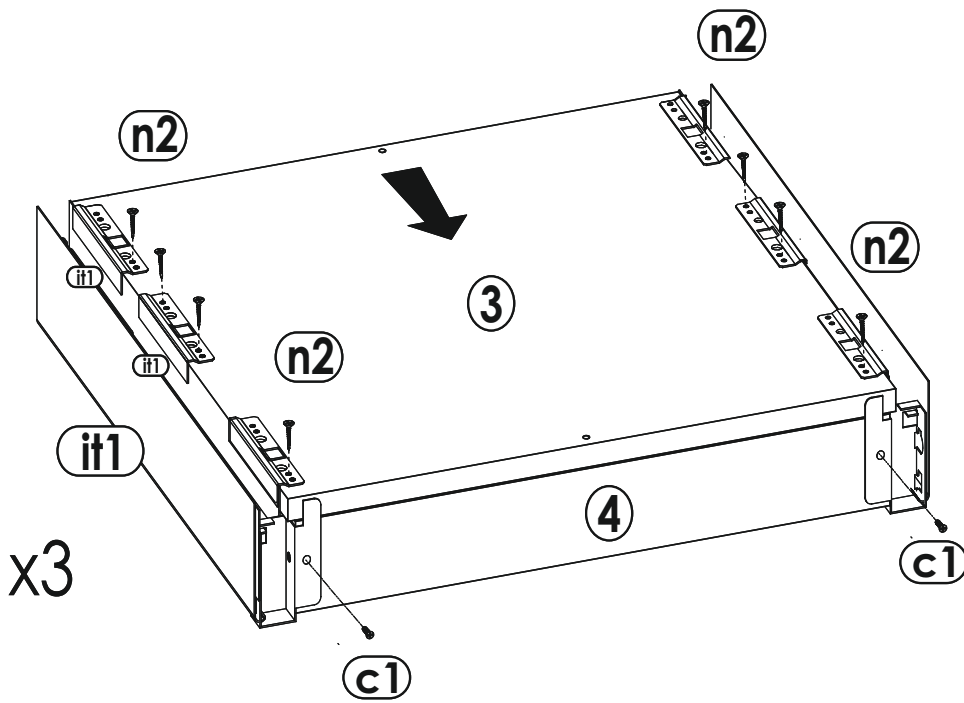
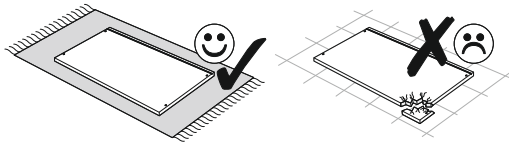
c1 Euro 4x13 x...(x12)	c2 Euro 5x13 x...(x28)	d5 x...(x4)	i5 3,5x20 x...(x20)	i6 3,5x40 x...(x4)	it0 x...(x4)	it1 x...(x3)	it4 x...(x6)	p14 ø10 x...(x4)
n2 3,5x16 x...(x32)	it3 x...(x2)	it2 x...(x1)						

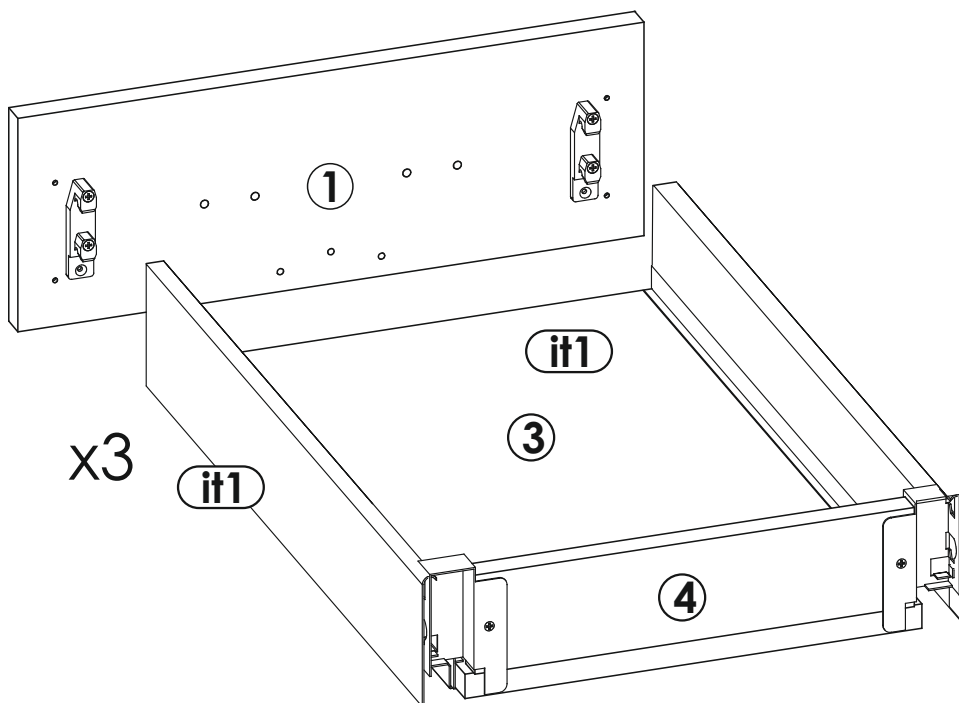
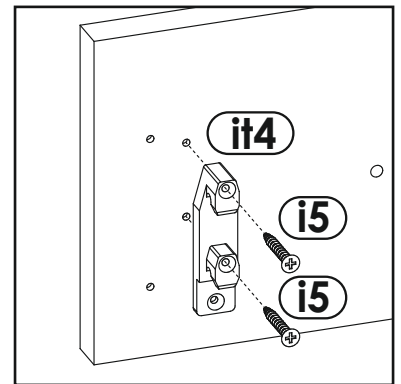
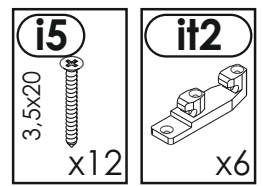
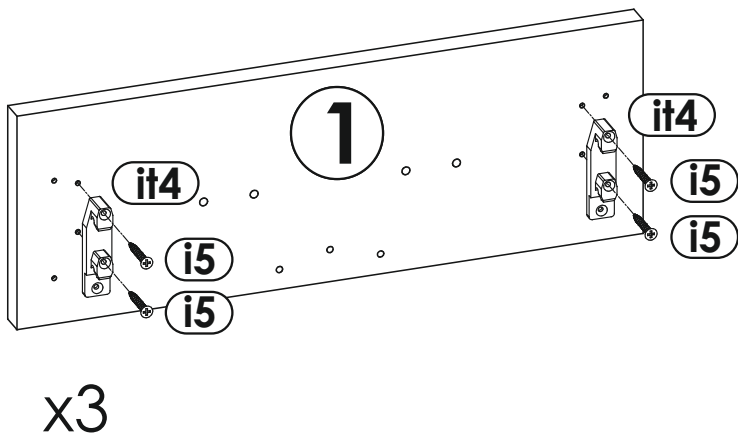
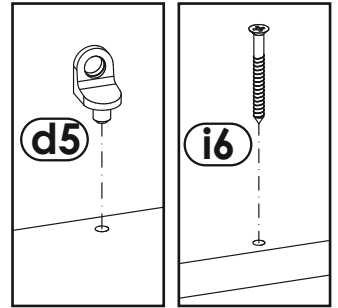
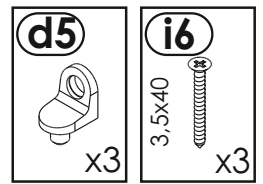
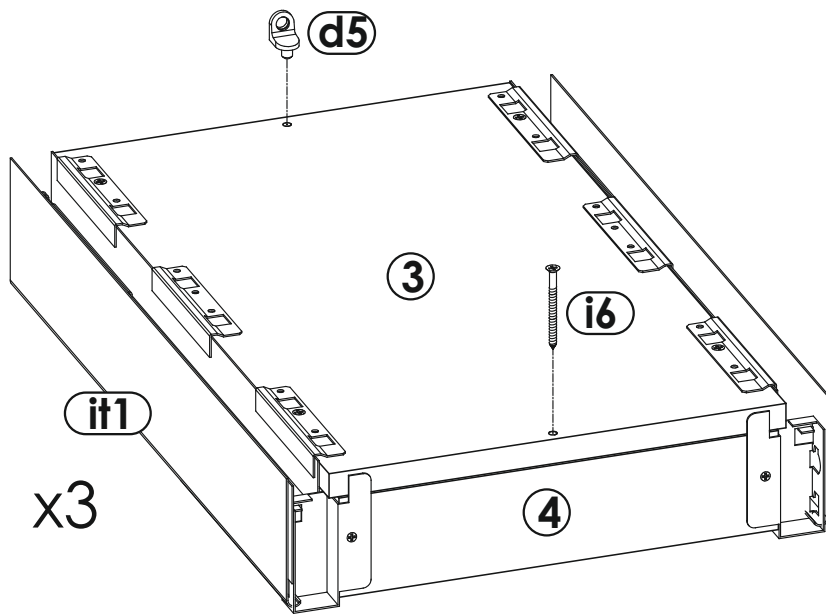


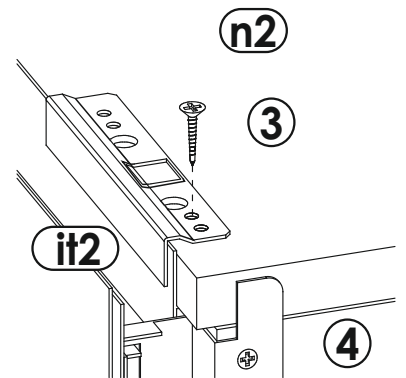
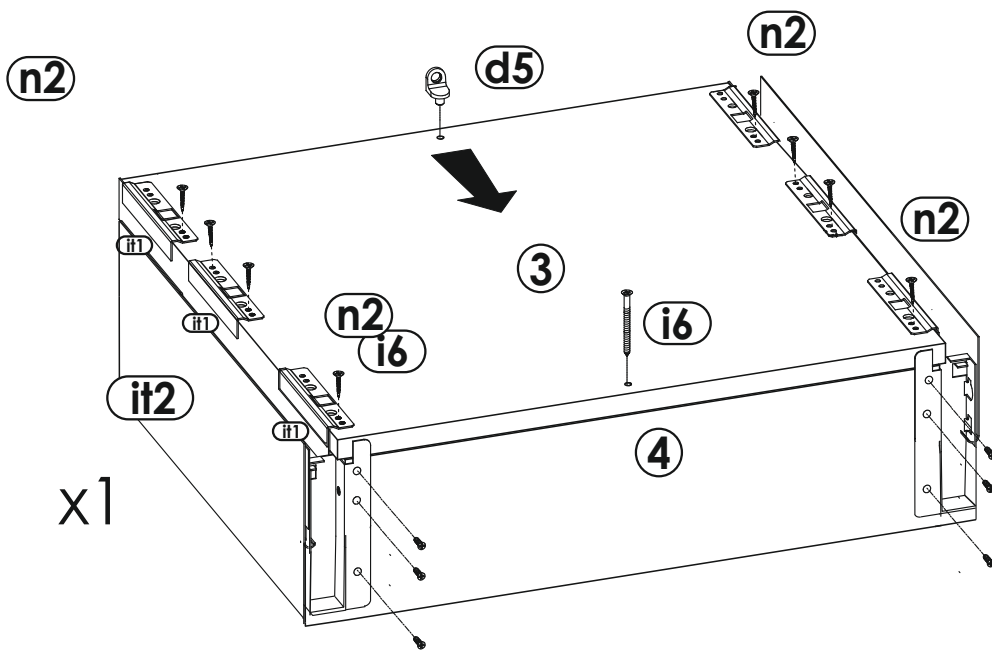
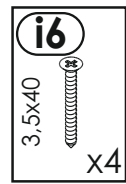
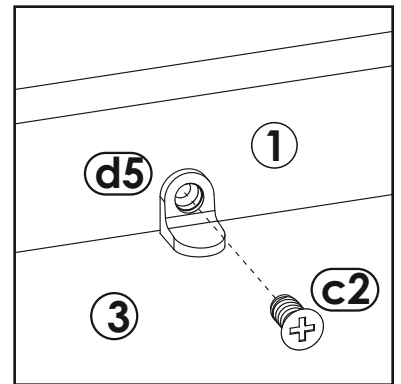
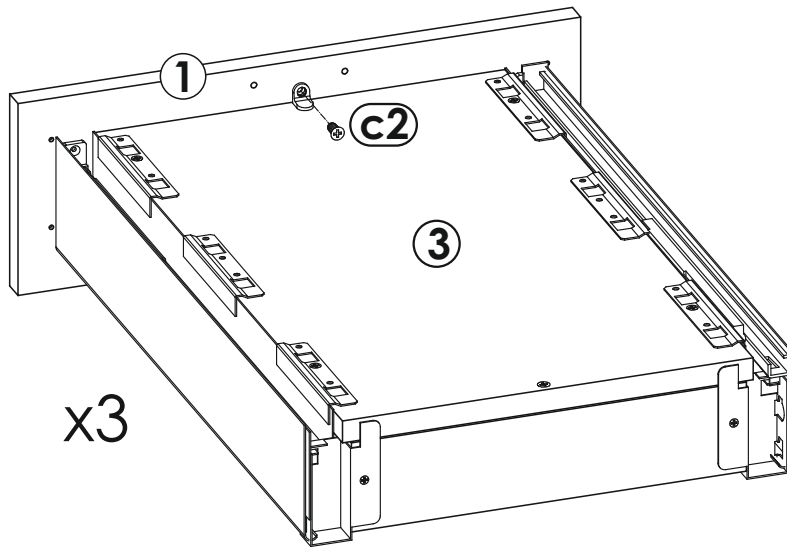
- ③ -C1
- ④ -C1
- ⑤ -C1
- ① -F1
- ② -F1











x1

